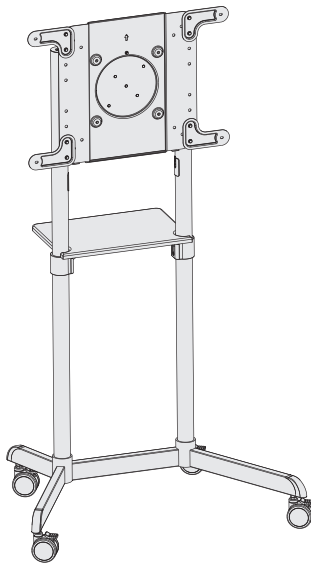




White Mobile Portrait to Landscape TV Cart Instruction Manual



SKU: STAND-TV02PW



Scan the QR code with your mobile device or follow the link for helpful videos and specifications related to this product.

<https://vivo-us.com/products/stand-tv02pw>

GET IN TOUCH | Monday-Friday from 7:00am-7:00pm CST



help@vivo-us.com



www.vivo-us.com
Chat live with an agent!



309-278-5303

⚠️ WARNING!

If you do not understand these directions, or if you have any doubts about the safety of the installation, please call a qualified technician. Check carefully to make sure there are no missing or defective parts. Improper installation may cause damage or serious injury. Do not use this product for any purpose that is not explicitly specified in this manual. Do not exceed weight capacity. We cannot be liable for damage or injury caused by improper mounting, incorrect assembly or inappropriate use.

⚠️ TIPOVER WARNING

SERIOUS OR FATAL CRUSHING INJURIES CAN OCCUR FROM TIPOVER. TO HELP PREVENT TIPOVER:

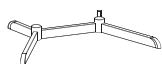
- NEVER ALLOW CHILDREN TO CLIMB, STAND, HANG, OR PLAY ON ANY PART OF TV OR TV CART.
- USE TIPOVER RESTRAINT OR ANCHOR STAND TO WALL

USE OF TIPOVER RESTRAINTS MAY ONLY REDUCE, BUT NOT ELIMINATE RISK OF TIPOVER.

⚠️ WARNING: CHOKING HAZARD

SMALL PARTS - NOT FOR CHILDREN UNDER 3 YEARS. ADULT SUPERVISION IS REQUIRED.

PACKAGE CONTENTS



A (x1)
Base



B (x4)
Caster



C (x2)
Base Pole



D (x2)
Upper Pole



E (x1)
Equipment Shelf



F (x2)
Shelf Mounting Bracket



G (x1)
Front Cover



H (x1)
Mounting Plate



I (x1)
Rear Cover



J (x2)
VESA Extension



K (x2)
VESA Extension



L (x4)
Cable Cover



M (x8)
M8x20



N (x8)
M6x8



O (x16)
M6x12



P (x1)
M6x18



Q (x8)
M8x8



R (x5)
Cable Tie Holder



S (x5)
Cable Tie



T (x1)
6mm Wrench



U (x1)
10mm Wrench



V (x1)
4mm Allen Wrench



W (x1)
5mm Allen Wrench



M-A (x4)
M5x14



M-B (x4)
M6x14



M-C (x4)
M6x30



M-D (x4)
M8x30



M-E (x4)
M8x50



M-F (x4)
Washer



M-G (x8)
5mm Spacer



M-H (x8)
15mm Spacer

NOTE: SOME HARDWARE INCLUDED MAY NOT BE USED

DO NOT EXCEED WEIGHT CAPACITY.
Failure to do so may result in serious injury.



TV



DVD SHELF

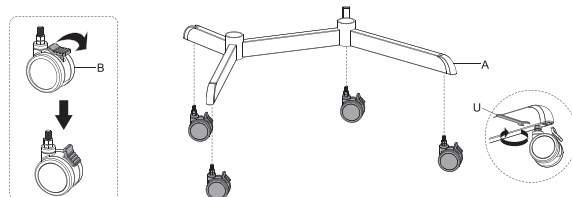
TOOLS NEEDED



ASSEMBLY STEPS

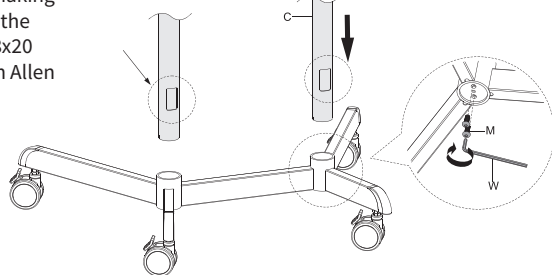
STEP 1

Press the lock on each caster (**B**) to the down (locked) position, then install the casters to the base (**A**). Adjust to sit flat if needed, then tighten each caster using the 10mm wrench (**U**).



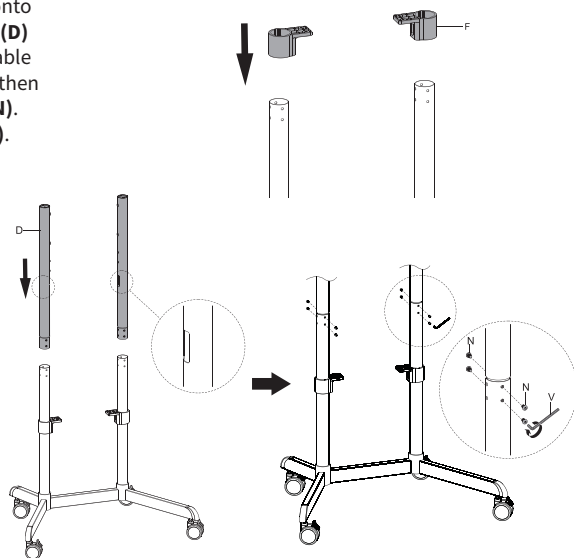
STEP 2

Slide the base poles (**C**) into the base, making sure the cable holes are facing towards the back, then secure the poles using x4 M8x20 bolts (**M**). Turn the bolts using the 5mm Allen wrench (**W**), but do not yet tighten.



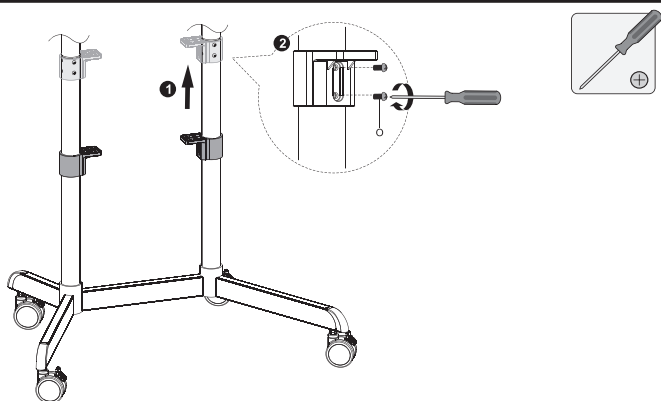
STEP 3

Slide the shelf mounting brackets (**F**) onto the base poles. Insert the upper poles (**D**) into the base poles, making sure the cable holes are facing in towards the center, then secure the poles using x8 M6x8 bolts (**N**). Tighten with the 4mm Allen wrench (**V**).



STEP 4

Slide the shelf mounting brackets up to cover the installed bolts, then insert x4 M6x12 bolts (O) to secure the brackets. Tighten with a Phillips screwdriver.



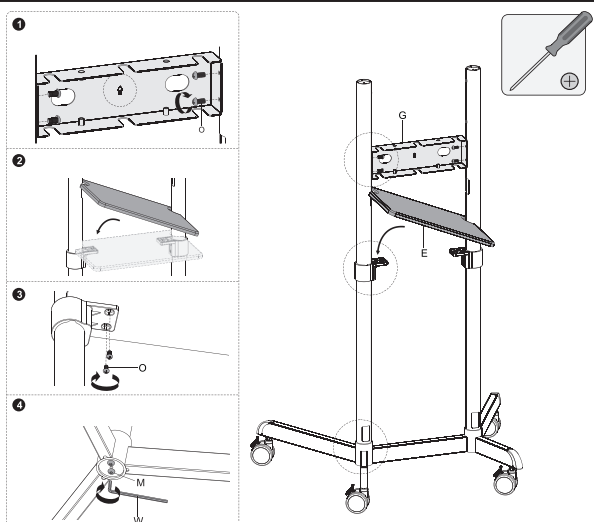
STEP 5

1. Install the front cover (G) between the poles, making sure the face of the cover is facing towards the front, and secure using x4 M6x12 bolts (O). Tighten with a Phillips screwdriver.

2. Place the equipment shelf (E) on the shelf mounting brackets, making sure the large end faces towards the back.

3. Secure the shelf using x4 M6x12 bolts (O) and tighten with a Phillips screwdriver.

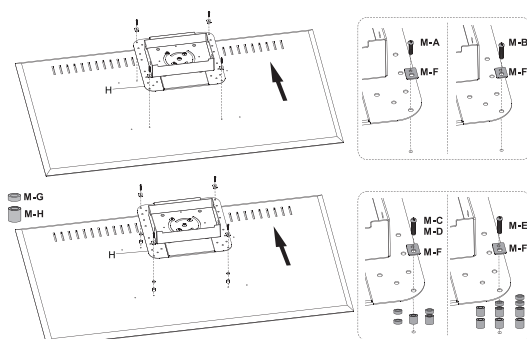
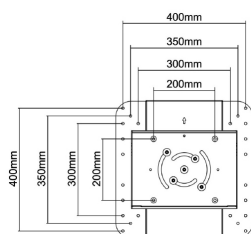
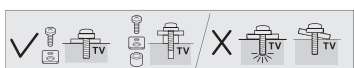
4. Tighten the previously installed M8x20 bolts under the base using the 5mm Allen wrench (W).



STEP 6

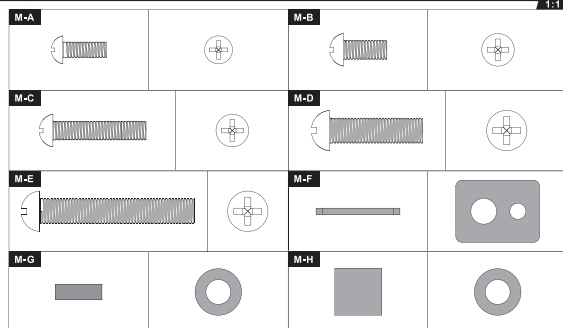
OPTION A: VESA 200x200mm - 400x400mm

Install the mounting plate (H) to the TV. For flat back TVs, use shorter screws (M-A, M-B) with washers (M-F). For curved or recessed back TVs, use longer screws (M-C, M-D, M-E) with washers (M-F) and spacers (M-G, M-H) as needed.



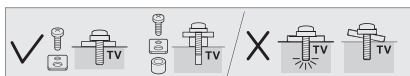
STEP 6 (Continued)

131

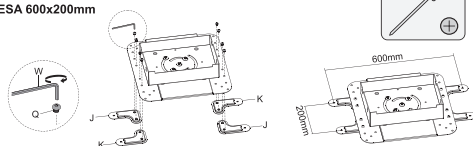


OPTION B: VESA 600x200mm - 600x400mm

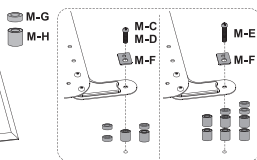
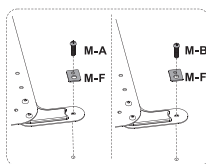
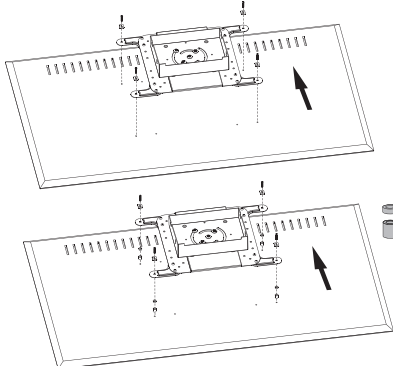
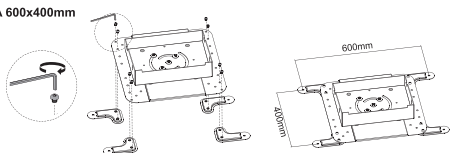
Attach VESA extensions (**J, K**) to the mounting plate (**H**) using M8x8 bolts (**Q**), and tighten with the 5mm Allen wrench (**W**). Install the assembled mounting plate to the TV. For flat back TVs, use shorter screws (**M-A, M-B**) with washers (**M-F**). For curved or recessed back TVs, use longer screws (**M-C, M-D, M-E**) with washers (**M-F**) and spacers (**M-G, M-H**) as needed.



VESA 600x200mm

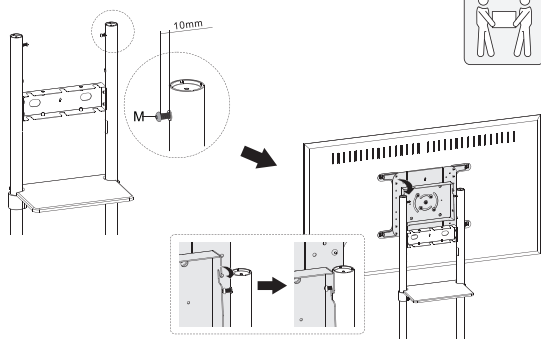


VESA 600x400mm



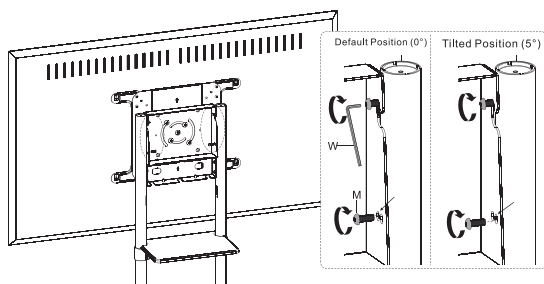
STEP 7

Partially insert x2 M8x20 bolts (**M**) into the top hole on each upper pole, leaving 10mm (about 3/8") of thread exposed. Hang the slots of the mounting plate with TV over the bolts.



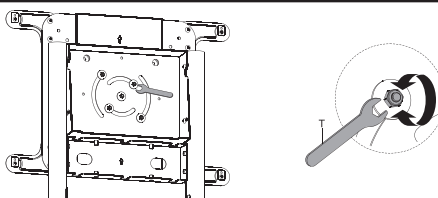
STEP 8

Insert x2 M8x20 bolts (**M**) into either the front or rear lower holes of the mounting plate. Tighten all bolts with the 5mm Allen wrench (**W**).



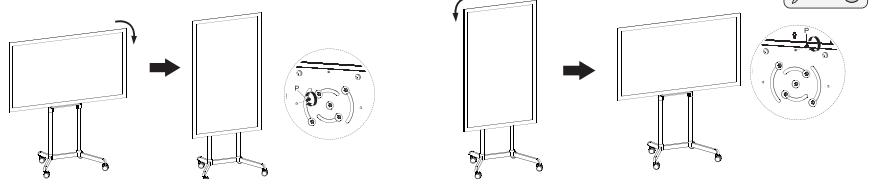
STEP 9

To adjust the ease of rotation, loosen or tighten the nuts on the back of the mounting plate using the 6mm wrench (**T**).



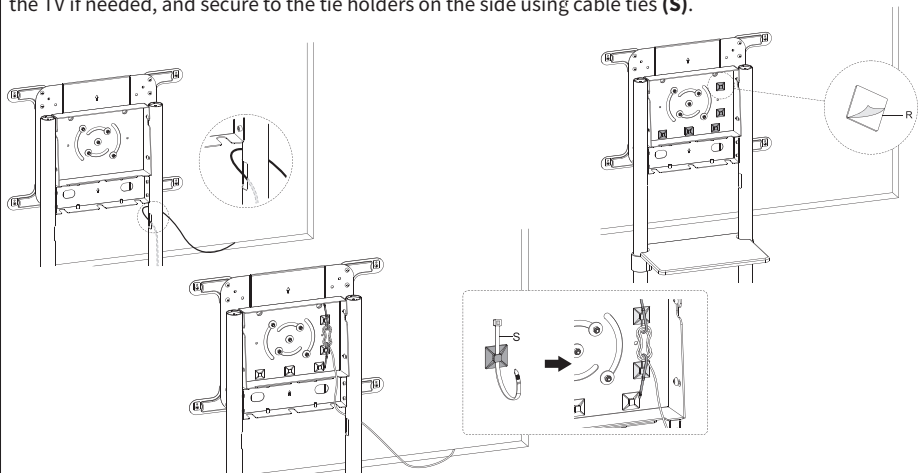
STEP 10

To lock the position, insert the M6x18 bolt (**P**) into the back of the mounting plate using a Phillips screwdriver. Use the side hole for portrait, or the top hole for landscape.



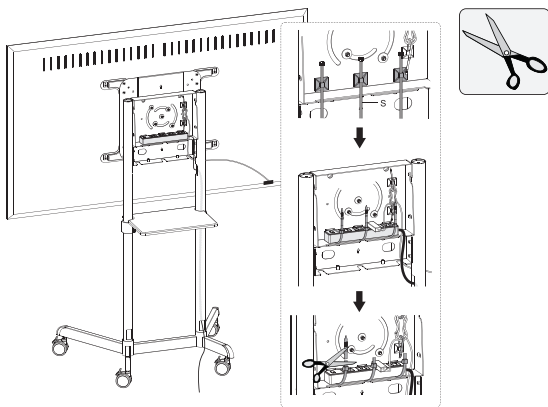
STEP 11

Route cables through the cable holes in the poles and the openings in the front cover and mounting plate. Stick adhesive cable tie holders (**R**) onto the back of the mounting plate in the positions shown. Pull excess cable up into the mounting plate area, making sure there's enough slack for free rotation of the TV if needed, and secure to the tie holders on the side using cable ties (**S**).



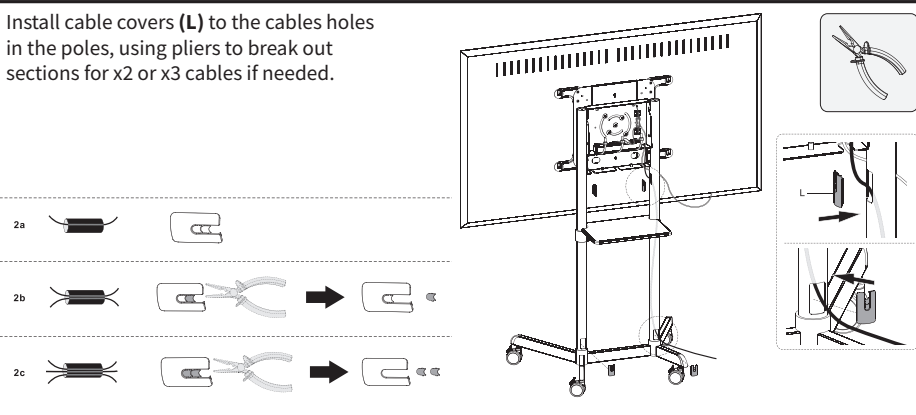
STEP 11 (Continued)

Place a power strip in the back of the mounting plate, and secure using cable ties.



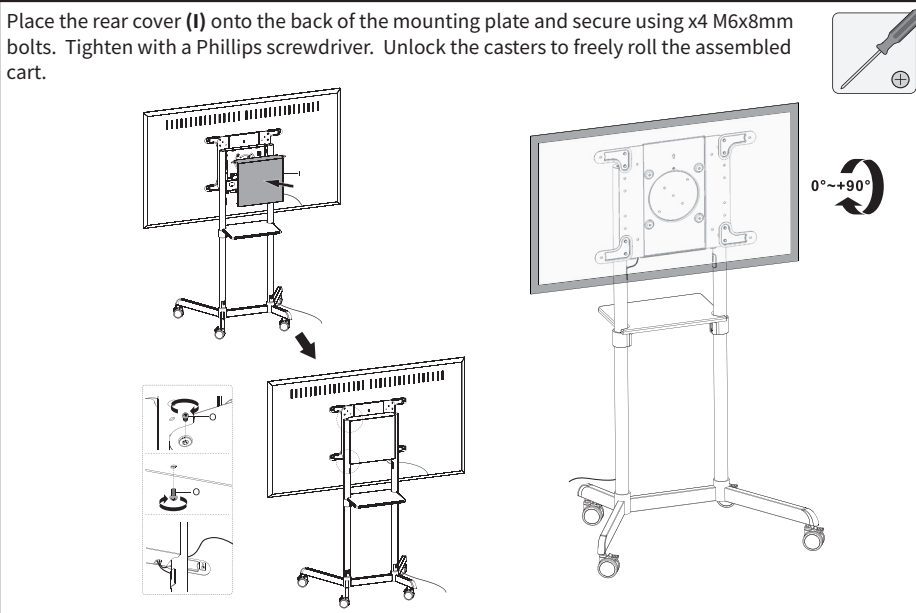
STEP 12

Install cable covers (L) to the cables holes in the poles, using pliers to break out sections for x2 or x3 cables if needed.



STEP 13

Place the rear cover (I) onto the back of the mounting plate and secure using x4 M6x8mm bolts. Tighten with a Phillips screwdriver. Unlock the casters to freely roll the assembled cart.





Open **Monday - Friday 7:00am - 7:00pm** CST,

our dedicated support team can offer immediate assistance with rapid response times. If any parts are received damaged or defective, please contact us. We are happy to replace parts to ensure you have a fully functioning product.


 help@vivo-us.com

AVG. RESPONSE TIME (*within office hrs*): **1HR 8M**

- 23% within < 15m
- 38% within < 30m
- 61% within < 1hr
- 83% within < 2hr
- 92% within < 3hr

 www.vivo-us.com
Chat live with an agent!

AVG. RESOLUTION TIME (*within office hrs*): **< 15 M**

 309-278-5303

AVG. RESOLUTION TIME (*within office hrs*): **5M 4S**